

AS-DG1

DIGITAL PRESSURE GAUGE

ACCURACY $\pm 0.5\%$ FS



Your Engineering Partner...



AS-DG1 is a high-precision intelligent digital pressure gauge. It has a high-precision sensor and displays pressure accurately in real time. It has advantages of high precision and good long-term stability. AS-DG1 is equipped with a large size LCD, featuring with functions of zero clearing, backlight, on/off button, units switching and low-pressure alarm. It is convenient to install and easy to operate. The housing and connector of AS-DG1 are made of stainless steel 304 with excellent vibration resistance. It can be used to measure gas, liquid, oil and other noncorrosive medium of stainless steel. AS-DG1 is applicable to portable pressure measurement and equipment supporting and calibration fields

Features

- 4 digits LCD showing pressure accurately in real time, easy for observation
- Various pressure units, zero clearing, backlight, on/off functions
- Battery powered, low-power design, keeping working for 12 months
- High-precision pressure sensor adopted

Application

- Machinery and electronics
- Supporting equipment of instruments
- Pressure laboratory
- Mechanical engineering automation

Specification

Pressure range: -100kPa...0~10kPa...100MPa

Pressure reference: Gauge pressure, Absolute pressure, Sealed gauge pressure

Accuracy: +/- 0.5%FS

Backlight Color: White

Operating temperature: -10~70°C

Compensated temperature: 0~60°C

Electric protection: Anti electromagnetic interference design

Sampling frequency: 5/sec

Overpressure: 150%FS

Long term stability: ±0.2%FS/year (typical)

Supply: Battery 2 Triple A batteries

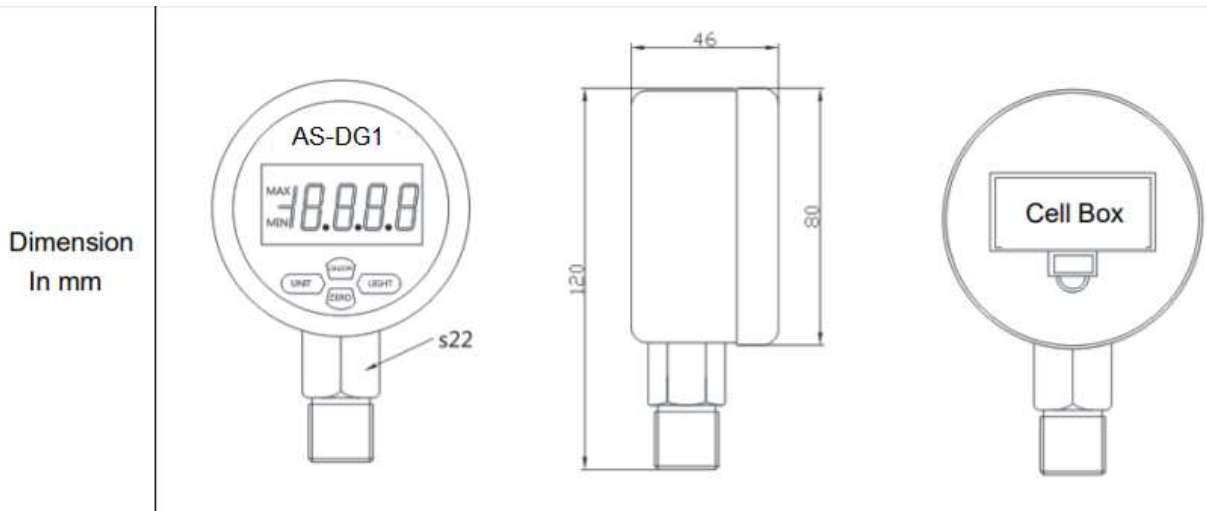
Material: Stainless steel for shell, 316L for isolation diaphragm

Medium compatibility: All media compatible with stainless steel 316

RESOLUTION TABLE

Range Units	Bar	MPa	mH2O	mmHg	In H2O	In Hg	Torr	KPa	PSI	Kg/Cm2	mBar
-1 to 3 Bar	0.001	0.001	0.01	1	1	0.01	1	0.1	0.01	0.001	1
-1 to 10 Bar	0.01	0.001	0.1	1	1	0.1	1	1	0.1	0.00	NA
-1 to 25 Bar	0.01	0.001	0.1	NA	NA	0.1	NA	1	0.1	0.01	NA
0 to 40 Bar	0.01	0.01	0.1	NA	NA	0.1	NA	1	0.1	0.01	NA
0 to 100 Bar	0.1	0.01	1	NA	NA	1	NA	NA	1	0.1	NA
0 to 250 Bar	0.1	0.01	1	NA	NA	1	NA	NA	1	1	NA
0 to 400 Bar	0.1	0.01	1	NA	NA	NA	NA	NA	1	0.1	NA
0 to 700 Bar	0.1	0.01	1	NA	NA	NA	NA	NA	1	0.1	NA

DIMENSION



PROCESS CONNECTIONS

Type	C1: M20×1.5	C3: G1/4	C7: NPT1/2
Dimension In mm			

Note: Common threads are M20×1.5, G1/4, G1/2, M14×1.5, NPT1/4 and NPT1/2. Special threads can be customized for batch order.